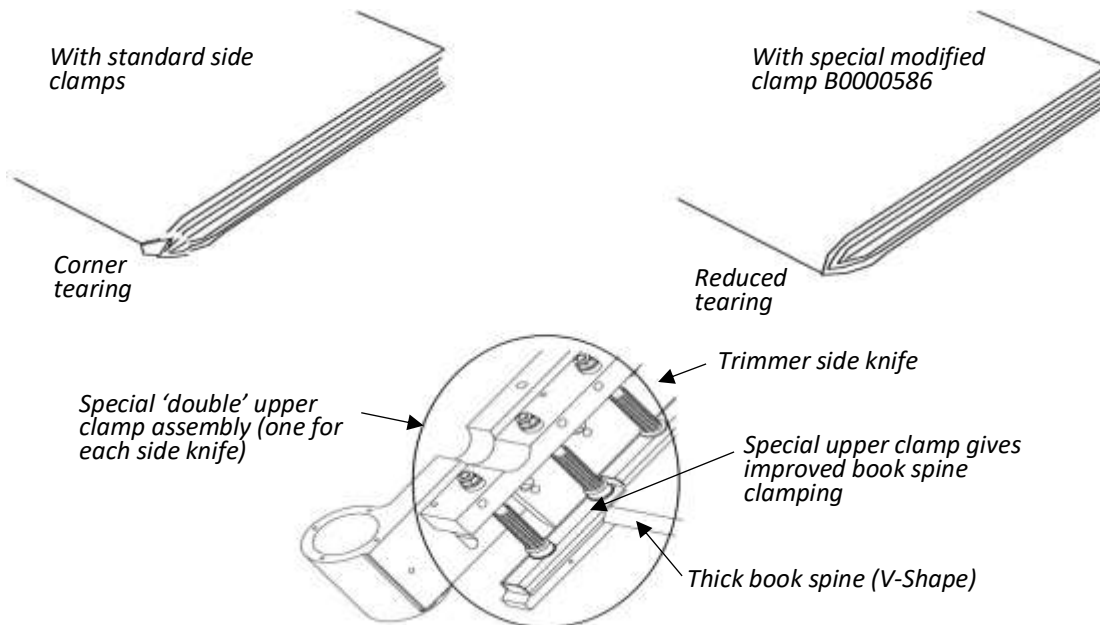


## Data Sheet: Spine clamp kit B0000586

The Spine Clamp Kit B0000586 reduces book corner tearing when making very thick booklets.

All saddle-stitcher side-knives normally result in some tearing of the corner of the book spine as the V shaped spine is not supported well by upper clamps. The clamp kit modification ensures that the V spine is better clamped to reduce spine corner tearing by the side knives.

The standard modification kit is designed to suit A4 or 8 ½ x 11" finished book sizes only. For other sizes refer to IBIS.



### **IBIS Customized Finishing Solutions**

IBIS Integrated Bindery Systems Limited, 9 The Gateway Centre, Coronation Road, Cressex Business Park, High Wycombe, HP12 3SU, UK. Tel.: +44 (0) 1494 561 950 Fax: +44 (0) 1494 561 951

Email: [info@ibis-bindery.com](mailto:info@ibis-bindery.com)

Web site: [www.ibis-bindery.com](http://www.ibis-bindery.com)

Company registered in England, number 03703149. UK VAT Registration number 697 9379 42